



The B0300 Marine Loading Arm has been designed for any kind of special application where it is essential to keep the product pipe thoroughly the same size for either economical or technical reasons, e.g. cryogenic products up to  $-104\text{ }^{\circ}\text{C}$ , pigging systems and PTFE-lining. This design has proven its reliability since many years now.

The B0300 design includes a special support structure for the standpost, inboard and outboard arm and thus separating any mechanical loads imposed to the product pipe, except the dead-weight and internal pressure loads. Additionally this also provides the optimum in regards to operational safety aspects, low weight of the arm and lowest wind loads imposed to the jetty structure.

The balancing of the arm is achieved by a rigid link pantograph system with independent counterweights direct linked to the inboard- and outboard arm. Thus providing that accurate balance is definitely ensured throughout all manoeuvring and connecting positions.

The B0300 is available:

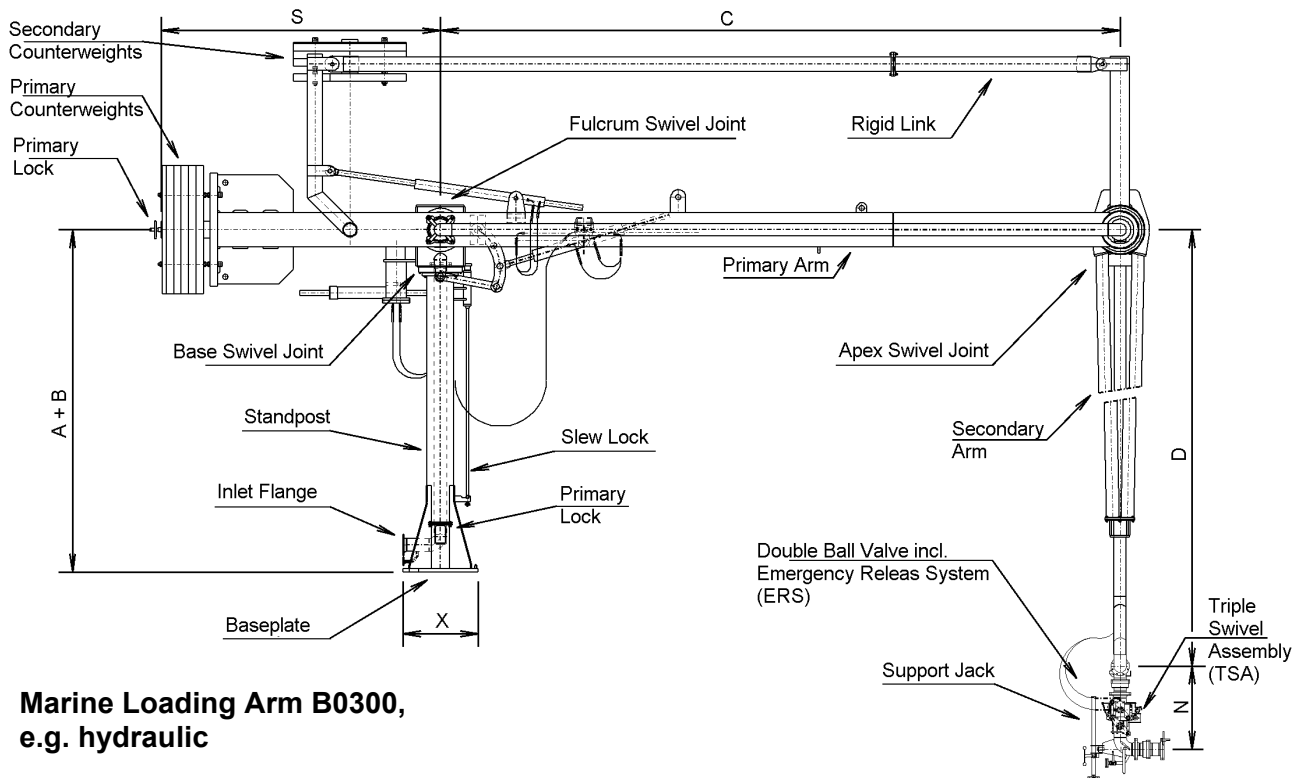
- ◆ in sizes from 4" up to 16"
- ◆ for pressure rates from PN 10 up to PN 40
- ◆ materials: carbon steel, low temperature steel, stainless steel
- ◆ for all products
- ◆ for temperature range of  $-104\text{ }^{\circ}\text{C}$  up to  $+200\text{ }^{\circ}\text{C}$

For any deviations we shall be glad to offer you individual solutions.

The advantages in comparison with hose loading facilities are ease of handling, higher availability/flexibility, less man power and minimum maintenance required by maximal operational safety and minimised operational cost (cost of ownership).

The B0300 is designed for hydraulically operation and can be fitted with the most sophisticated ancillary equipment.

Additional equipment is available.

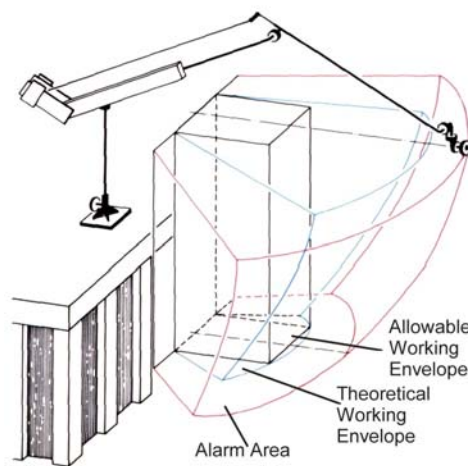


**Marine Loading Arm B0300,  
e.g. hydraulic**

TYPICAL DIMENSIONS, WEIGHTS AND BENDING MOMENTS (incl. emergency release system)									
Size	Stand Pos Height	X	C	D	N	S	flow rate	weight	bending moment
inch	mm	mm	mm	mm	mm	mm	m <sup>3</sup> /h	KN	KNm
4"	5 500	1 000	8 000	8 000	900	4 500	300	160	325
6"	5 500	1 000	8 000	8 000	1 000	4 500	600	165	338
8"	5 500	1 500	8 000	8 000	1 350	4 500	1 100	190	368
10"	7 000	1 500	11 000	9 000	1 750	6 000	1 700	360	729
12"	7 000	1 500	11 000	10 000	2 100	6 000	2 500	395	759
16"	7 000	2 000	11 000	11 000	2 400	6 000	4 000	490	870

**Design:**

- ◆ Fully balanced via rigid link pantograph system incl. separated counterweights for inboard- and outboard arm
- ◆ support structure to separate mechanical loads from product pipe throughout the arm
- ◆ most convenient light weight design available world-wide
- ◆ for transfer of all product, e.g. mineral oil, chemicals, liquefied gases
- ◆ available in carbon steel, low temperature steel and stainless steel, PTFE-/RUBBER-lining
- ◆ swivel joints either as welded-in or flanged version
- ◆ seals available in Buna-N, Viton, PTFE or any other specific material depending on application
- ◆ pressure rates of PN 10 to PN 40 or any other international standards. Higher pressure rates are possible
- ◆ temperature range from -104 °C (e.g. liquid ethylene) up to +200 °C. Other temperature criteria are possible.



Typical Accessories:	Emergency Release System (ERS)	lined product pipe
Vacuum Breaker	Envelope Warning System	Insulating Flange
Nitrogen Purge Line	Purge Line	Hydr. Operation
Drainage Connections	Manual Quick Coupler	Vapour Return Line
piggable product pipe	Hydr. Quick Coupler	special material for product pipe